



Electrolux
PROFESSIONAL

**Modular Cooking Range Line
700XP Electric Grill Top HP
1200mm (Marine)**

ITEM # _____

MODEL # _____

NAME # _____

SIS # _____

AIA # _____



371303 (E7JJCHAOMIG)

Large module electric Grill Top HP (high performance). Heating via incoloy armoured heating elements positioned under removable cooking grid, integrated water tap, fixed well with drain, heat boost deflectors, WRAS - marine

Short Form Specification

Item No. _____

Heating via incoloy armoured heating elements positioned under the cooking grid. Cooking surface grids are easily removable for cleaning. Heating elements can be tilted. Integrated water tap. Fixed well with drain. Extra strength work top in heavy duty 2 mm stainless steel. Right-angled side edges to allow flush-fitting junction between units. WRAS compliant. 400 V Version.

Main Features

- Heating elements tilt 90° for easy cleaning.
- Removable 2mm thick steel U-shaped grids in AISI 441 stainless steel for fast heating of cooking surface.
- Led warning indicator to give an alarm when well is empty.
- Top configuration allows installation on ambient base.
- Incoloy armoured heating elements positioned under the cooking grid.
- Each bank of elements has an independent power regulation through a control knob.
- Power indicator light.
- Fixed well with drain to collect residual cooking juices and grease.
- Large drain protected by overflow and filter.
- Water must be added to well before operation.
- Water filling tap with knob control.
- Removable stainless steel deflectors to recuperate heat and reduce cooking time.
- Stainless steel splash guards on sides of cooking surface. Splash guards can be easily removed for cleaning.
- Top configuration can be installed on refrigerated / freezer base with limited layout options.

Construction

- Unit is 730mm deep to give a larger working surface area
- All exterior panels in Stainless Steel with Scotch Brite finishing.
- One piece pressed 1.5 mm work top in Stainless steel.
- Model has right-angled side edges to allow flush fitting joints between units, eliminating gaps and possible dirt traps.

APPROVAL: _____



Experience the Excellence
www.electroluxprofessional.com

Included Accessories

- 1 of Scraper for HP electric grill PNC 206436

Optional Accessories

- Junction sealing kit PNC 206086
- Support for bridge type installation, 1200mm PNC 206139
- Support for bridge type installation, 1400mm PNC 206140
- Support for bridge type installation, 1600mm PNC 206141
- Right and left side handrails PNC 206307
- Scraper for HP electric grill PNC 206436
- Drain extension for Electric grill HP PNC 206437
- Frontal handrail, 400mm PNC 216046
- Frontal handrail, 1200mm PNC 216049
- Frontal handrail, 1600mm PNC 216050
- 2 side covering panels for top appliances PNC 216277

Electric

Supply voltage:
 371303 (E7JJCHAOMIG) 400 V/3 ph/50/60 Hz
 Electrical power max.: 11.25 kW
 Predisposed for:

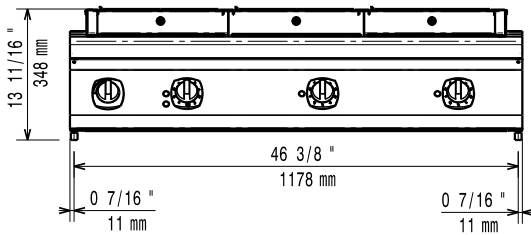
Key Information:

Cooking surface width: 1065 mm
 Cooking surface depth: 400 mm
 External dimensions, Width: 1200 mm
 External dimensions, Depth: 730 mm
 External dimensions, Height: 250 mm
 Net weight: 107 kg

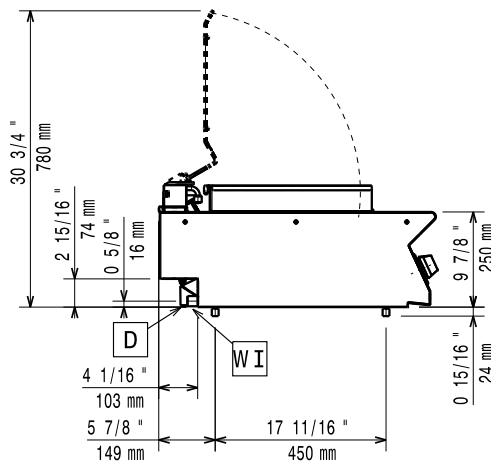
If appliance is set up either next to or against temperature sensitive furniture or similar, a safety gap of approximately 150 mm should be maintained or some form of heat insulation fitted.

Certification group: HEG7E3

Front



Side



- D = Drain
- EI = Electrical inlet (power)
- EQ = Equipotential screw
- WI = Water inlet

Top

